



Model: UEC50M

50 Meter USB Extender



Description

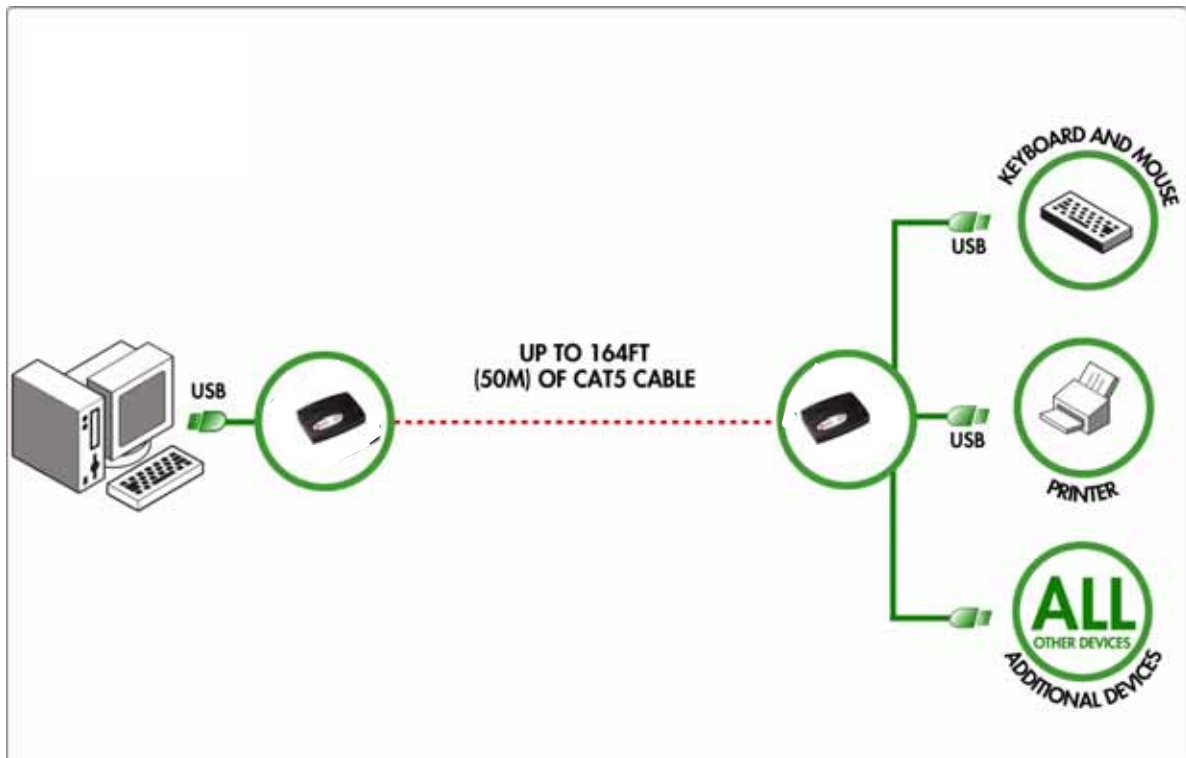
The UEC50M is a compact USB 1.1 extension systems ideal for use with peripherals such as keyboards and mice.

Features

- Requires no external power adapter.
- Transmits power and data over the same Category 5 cable.
- Contains internal USB hub.
- Provides support for any full-speed (12 Mbps) or low-speed (1.5 Mbps) USB device.
- System includes local and remote units, USB cable and user guide.

Highlights

The UEC50M is a USB 1.1 device that extends the range of USB up to 50 meters using Category 5 cable.



International Headquarters: 707 Dayton Road PO Box 1040 Ottawa, IL 61350 USA
815-433-5100 Fax 433-5104 www.bb-elec.com orders@bb-elec.com support@bb-elec.com

European Headquarters: Westlink Commercial Park Oranmore Co. Galway Ireland
+353 91 792444 Fax +353 91 792445 www.bb-europe.com orders@bb-europe.com support@bb-europe.com

Ordering Information

The UEC50M is complete with a Local Extender, a Remote Extender, a USB cable and User Guide.

Description: 50 meter USB Extender

Model: UEC50M

Product Specifications

Range (over Category 5 UTP cable)	50 meters (165 ft)
Remote USB ports	1 Mbps
USB device support	Any full-speed (12 Mbps) or low-speed (1.5 Mbps) device
USB hub support	Up to 3 hubs can be connected in series. Each hub reduces the maximum range by 10 meters.
Maximum power available to Remote USB ports	300 mA Local Unit is supplied with 500 mA 600 mA when Local Unit is supplied with 1000 mA
USB cable	2 meters (6.6 ft.)
Local connector (upstream)	USB Type B
Local connector (downstream)	RJ-45
Remote connector (upstream)	RJ-45
Remote connector (downstream)	USB Type A
Local dimensions	9.9 x 6.9 x 2.8 cm (3.9 x 2.7 x 1.1 in)
Local weight	0.1 kg (0.2 lb)
Remote dimensions	9.9 x 6.9 x 2.8 cm (3.9 x 2.7 x 1.1 in)
Remote weight	0.1 kg (0.2 lb)
Total system shipping weight	0.4 kg kg (0.8 lb)
Temperature range	4°C to 40°C
Regulatory testing	FCC, CE Class B



International Headquarters: 707 Dayton Road PO Box 1040 Ottawa, IL 61350 USA
815-433-5100 Fax 433-5104 www.bb-elec.com orders@bb-elec.com support@bb-elec.com

European Headquarters: Westlink Commercial Park Oranmore Co. Galway Ireland
+353 91 792444 Fax +353 91 792445 www.bb-europe.com orders@bb-europe.com support@bb-europe.com